

**AXOR Citterio M**  
**Widespread Faucet 160 with Pop-Up Drain, 1.2 GPM**  
 Finish: **chrome** Part no. : **34133001**



**Description**

**Features**

- Handle variant: Lever
- Spray modes: aerated spray
- Max. flow: 1.2 GPM (4.5 L/Min)
- Ceramic valves hot/cold 90°
- Includes pop-up drain

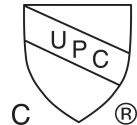
**Item details**

List Price \$ 1,238.00

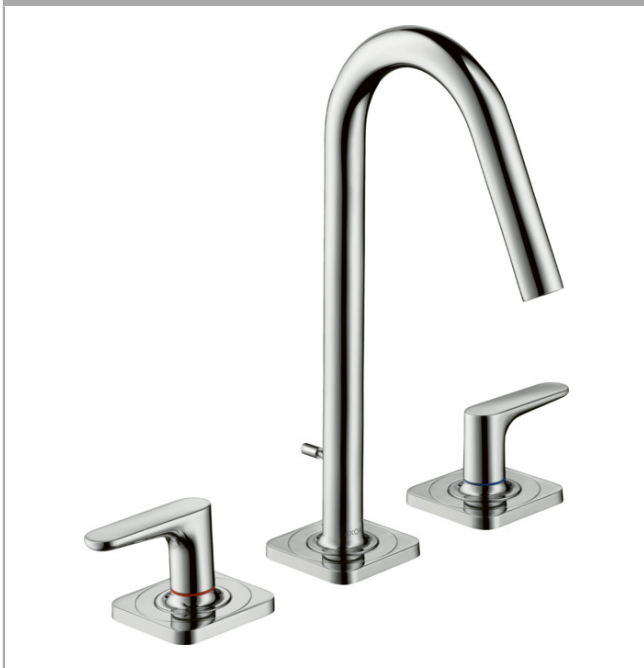
**Technology**



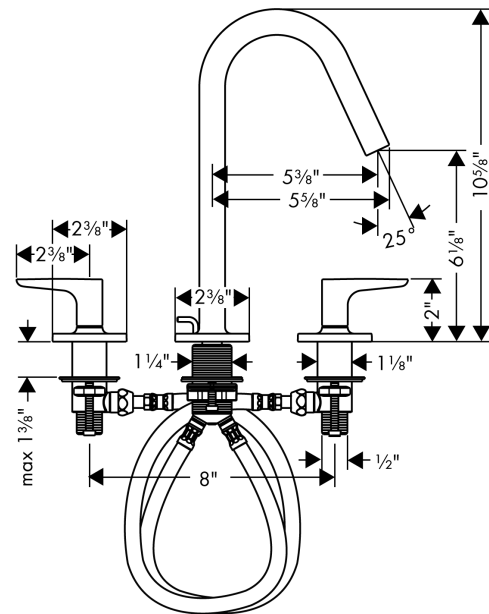
**Compliance / Sustainability**



**Product image**



**Scale drawing**

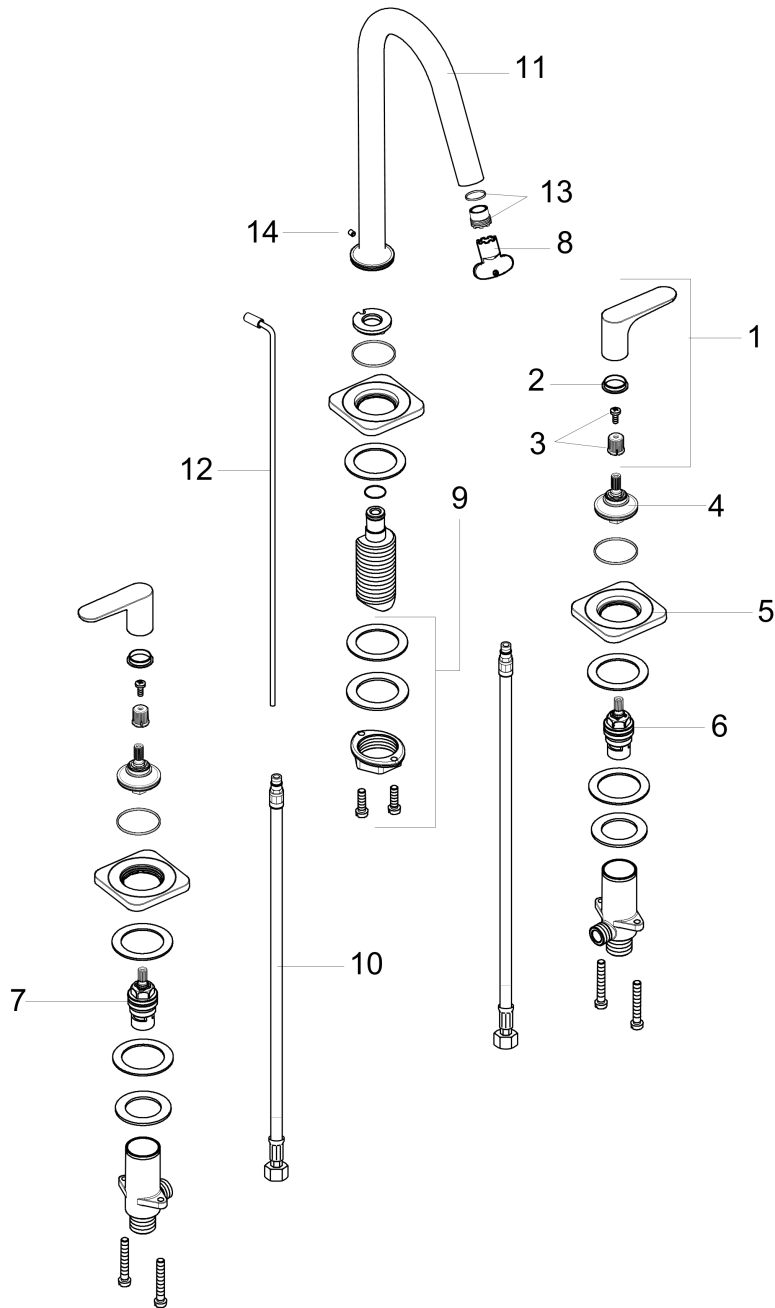


**AXOR Citterio M**  
**Widespread Faucet 160 with Pop-Up Drain, 1.2 GPM**  
 Finish: **chrome** Part no. : **34133001**



Exploded drawing

Year of production: >07/16



**AXOR Citterio M**  
**Widespread Faucet 160 with Pop-Up Drain, 1.2 GPM**  
 Finish: **chrome** Part no. : **34133001**



**Spare parts list**

Year of production: >07/16

| Pos. | Description                         | Part no. | Price | PU |
|------|-------------------------------------|----------|-------|----|
| 1    | handle                              | 34095000 | -     | 1  |
| 2    | set of color-rings cold / hot water | 98927000 | -     | 1  |
| 3    | handle fixing set                   | 98932000 | -     | 1  |
| 4    | nut                                 | 98929000 | -     | 1  |
| 5    | escutcheon                          | 98930000 | -     | 1  |
| 6    | shut off unit left closing          | 94008000 | -     | 1  |
| 7    | shut off unit right closing         | 94009000 | -     | 1  |
| 8    | special tool                        | 98987000 | -     | 1  |
| 9    | fixing set (Ø 32)                   | 13961000 | -     | 1  |
| 10   | connection hose 17½" M10x1 3/8"     | 94071001 | -     | 1  |
| 11   | spout cpl.                          | 98928000 | -     | 1  |
| 12   | pull rod                            | 96657000 | -     | 1  |
| 13   | aerator M16,5x1 (4,5 l/min)         | 92875000 | -     | 1  |
| 14   | hollow set screw M4x5               | 92846000 | -     | 1  |
| a    | pop up waste                        | 88509000 | -     | 1  |